

[View on Vencomatic.ca](#)



# Smartpack

## Farm Packer

**The Smartpack egg packing machine packs eggs quickly yet carefully onto 30-cell trays.**

### Key Features

- 30,000 eggs per hour
- Ideal for mid-sized layer operation
- Suitable for almost every type of tray (cardboard/plastic 5x6)
- Low cost per egg
- Easy to operate
- Low noise level
- Compact and flexible design
- Easy operation by touch screen display

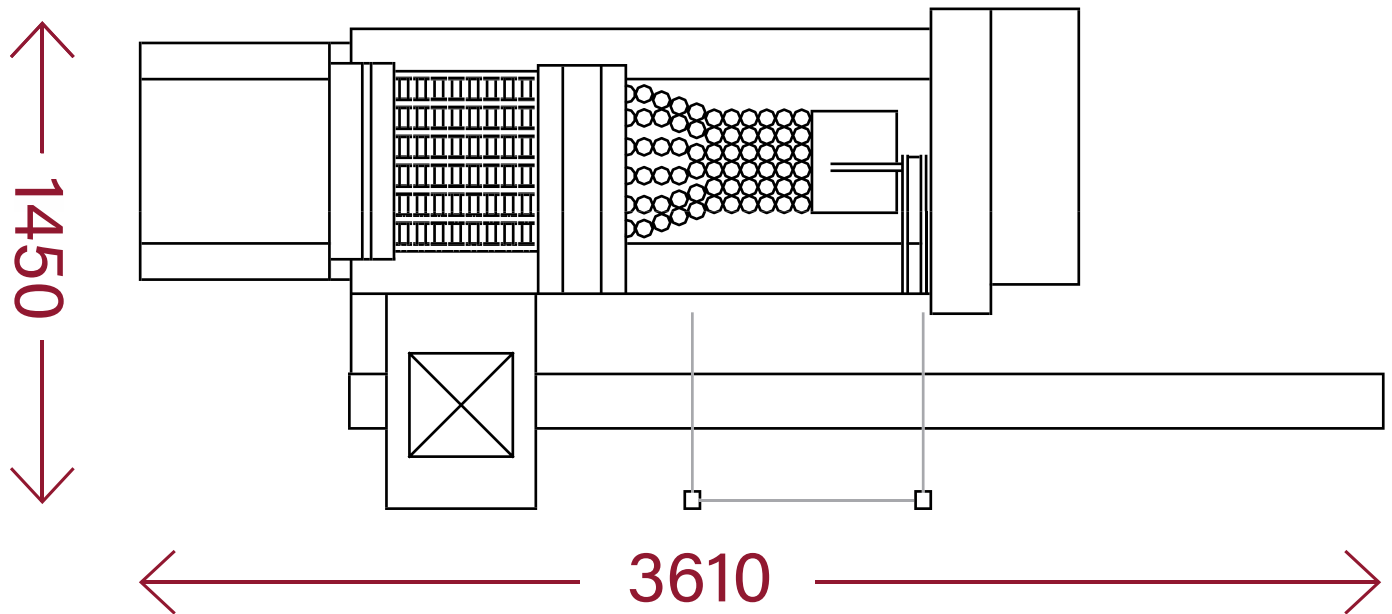
### Easy Maintenance

- Stainless steel construction
- Easy access to all vital parts for fast and easy cleaning

### Quality Production

- Gentle egg handling
- Minimum risk of hairline cracks

# Product Details



## Smartpack options:

- Options for managing egg flow to the packer
- Ovoprint B6 ink jet egg printer
- Various models of tray conveyors (90° and 180° curve)
- Prinzen's PS4 Traystacker and/or Pallet Loader

[View on Vencomatic.ca](#)